



MRS-09S

- Feature**
- Rotating direction can be detected for 2 circuit building in.
 - A magnetic resistance element is an InSb mono-crystal. That sensitivity and the ratio of S/N are high.
 - It can be detected even if detected material doesn't stick to the detection side.
 - Output doesn't depend on the movement speed of the magnetic body, and it can detect a stationary body.
 - A detection part is pure resistance, and hardly catches guidance noise.
 - It is the miniature metal case package which can use even the limited space

Absolute Maximum Rating (Ta=25°C)

Item	Symbol	Standard Value	Unit
Excitation, Maximum	V _{a max}	6.3	V
Allowable Loss	P _D	100	mW
Operation Environmental Temperature	T _{opg}	-10 ~ +80	°C
Operation Environmental Humidity		-0 ~ +98	%RH
Preserved Environmental Temperature	T _{stg}	-40 ~ +120	°C

Electrical Property (Ta=25°C)

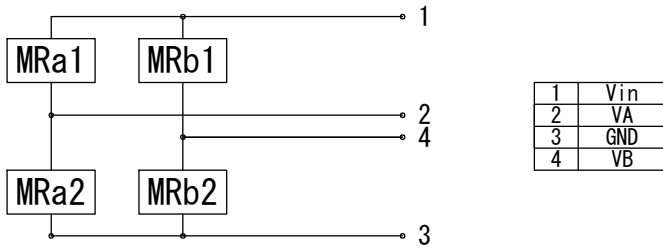
No.	Item	Symbol	Condition	min.	Typ.	Max.	Unit
1	Input resistance	R	*1 I _c ≤ 1mA	200	—	2000	Ω
2	Offset Voltage	V _{oa} V _{ob}	*1	(V _{in} /2) × (1 ± 0.13)			V
3	Output voltage	V _A V _B	*2	0.53	—	0.90	V _{p-p}
4	Output Voltage Ratio	V _A /V _B	*2	0.90	—	1.10	
5	Output Voltage Phase	α	*2 V _A -V _B 間	90 ± 5			deg
6	Isolation Resistance		DC 500V	100	—	—	MΩ
7	AC voltage resistant		AC 500V 1min.	It is necessary that there is no wrong point.			

*1 Condition of measurement
When a gap is ∞ from the detected thing.
Input voltage : less than 5.25V
(at the time of the neutral voltage measurement)

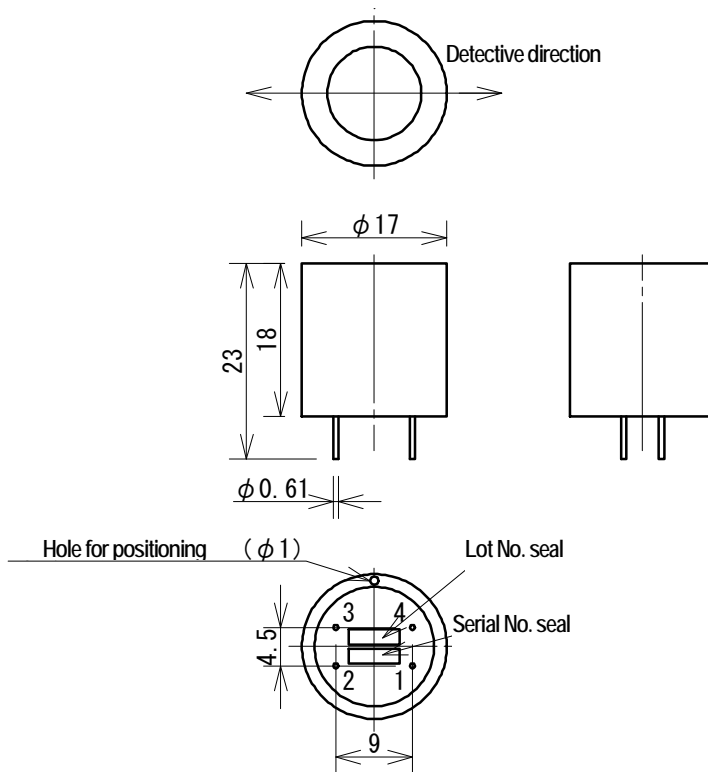
*2 Condition of measurement
Input voltage : 5.00 ± 0.01V
Gap: 0.15 ± 0.02mm
Revolution : 1500 ± 100 r.p.m
Designated gear : module 0.4
Tooth form: involute ordinarieness tooth
Pressure angle: 20°
Number of teeth: 256
Tooth width: 9mm
Quality of material: S45C
Precision: the JIS the 4th rank



Internal Circuit Figure



Contour Measure Figure



The product specifications and the appearance are possibility of changing without notice.